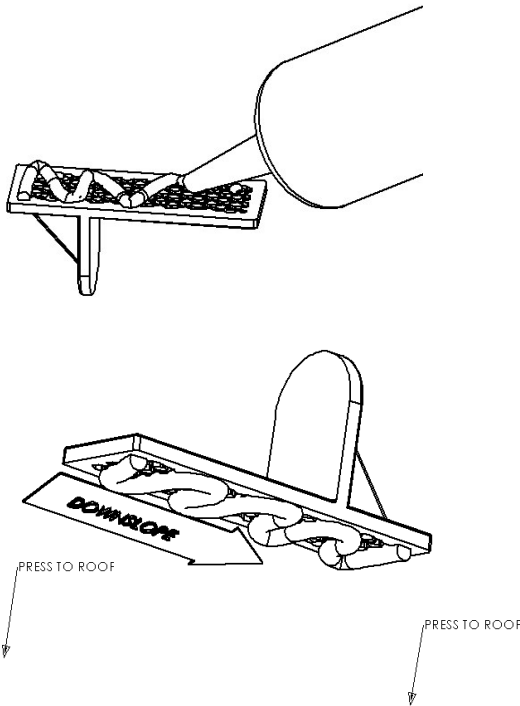


#### SNOW GUARD SPACING & QUANTITY CALCULATIONS:

We suggest that snow guards be fastened in staggered rows throughout the entire roof, so they function as cleats, holding the snow evenly. If you would like our spacing and quantity suggestions, please complete our spacing form at: <https://sno-safe.com/spacing.html>

#### SNOW GUARD INSTALLATION USING ADHESIVE SEALANT:

1. Mark the locations on the roof where the snow guards will be fastened.
2. Clean these locations using isopropyl alcohol and wipe off any residue.
3. Allow alcohol to fully evaporate and do not allow the alcohol to come into contact with the snow guard.
4. Put a full bed of Adhesive Sealant on the underside of snow guard.
5. Press the snow guard firmly to the roof.
6. Ensure that the sealant has covered the entire base of snow guard.
7. Wipe excess or caulk around the perimeter of snow guard



#### SNOW GUARD INSTALLATION USING SCREWS:

1. Mark the locations on the roof where the snow guards will be fastened.
2. Apply sealant to the base of snow guard.
3. Press snow guard firmly to the roof.
4. Fasten snow guards using four (4) #12 self-drilling neoprene washer roofing screws. Exercise care to not over tighten the screws.

